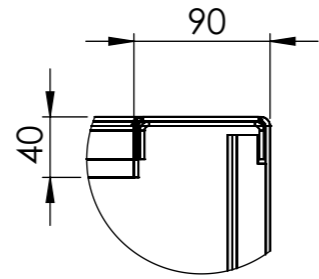
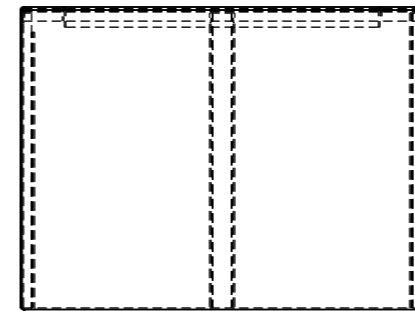
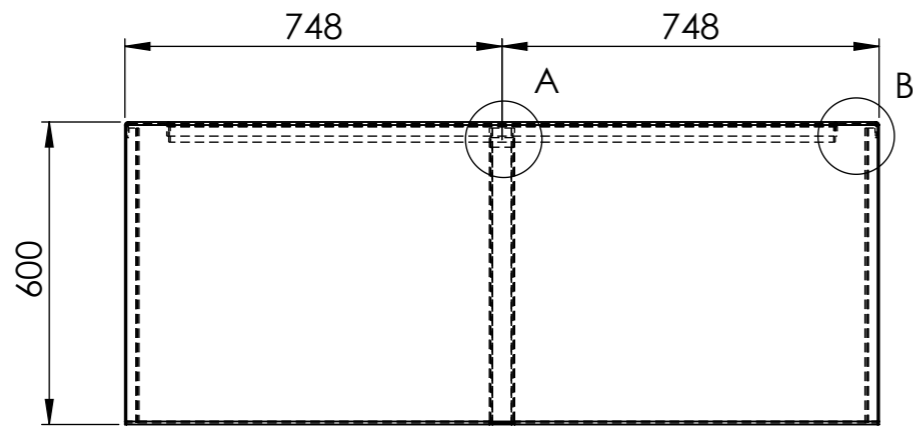
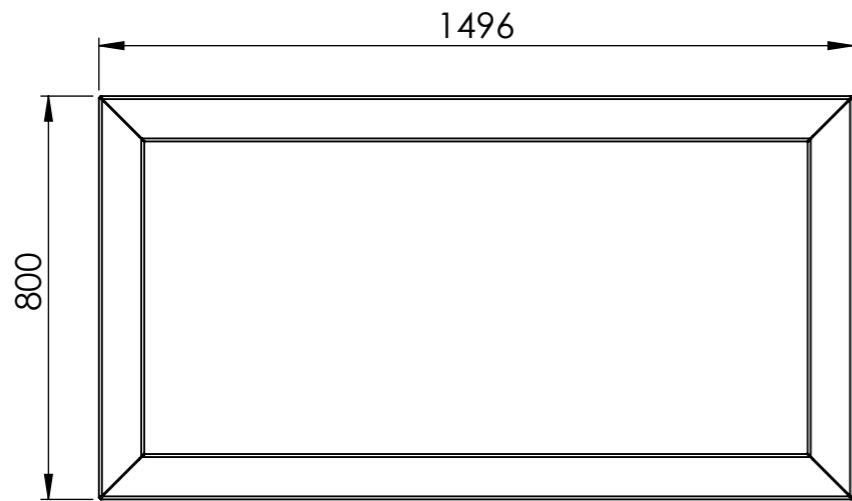
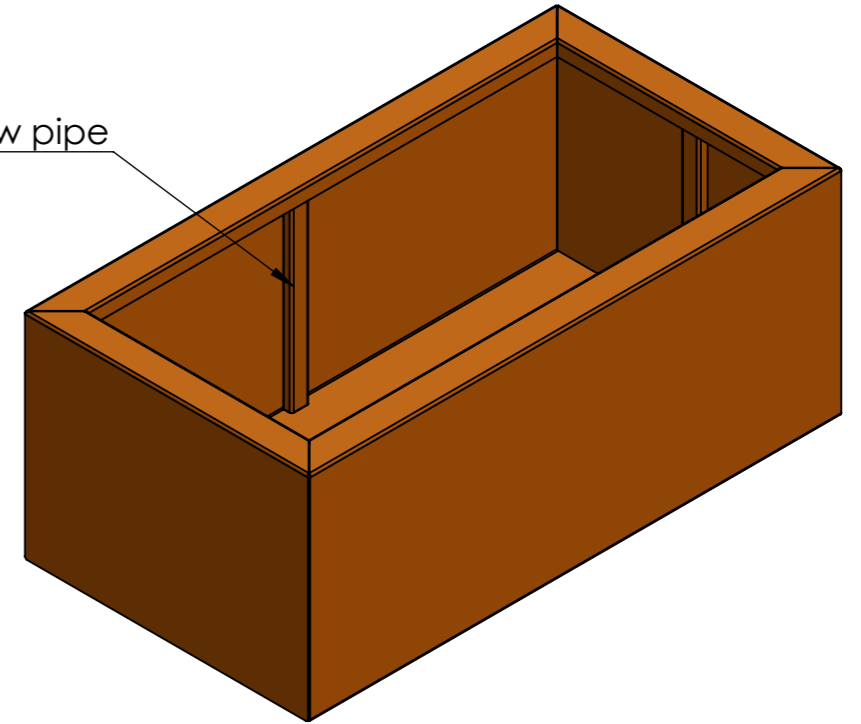


DETAIL A  
SCALE 1 : 5

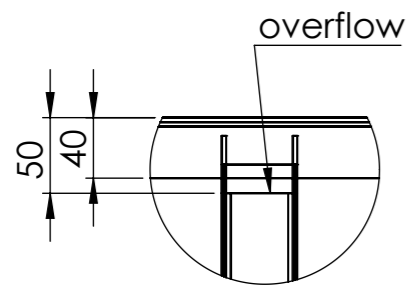


DETAIL B  
SCALE 1 : 5

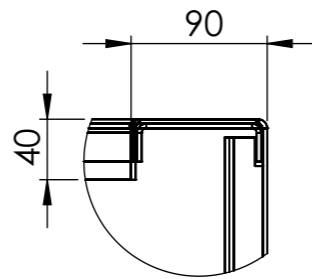
Overflow pipe



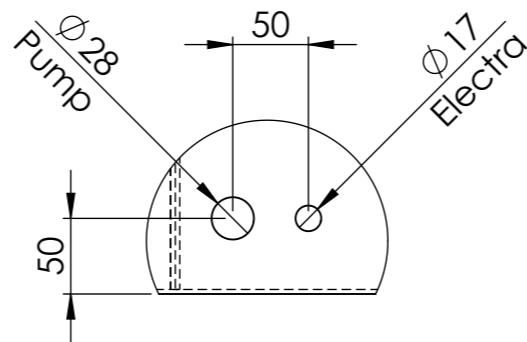
		DATE		TITLE:	
DRAWN	Luuk van den Heuvel	26-6-2023		Corten 3mm	
REVISION	Bas Vlamings	22-4-2024		Drawing:	
				VC10--	
			Liessentstraat 4, 5405 AG Uden (NL). † 0031 (0)413 - 27 41 68. e info@adezz.com, i www.adezz.com		A3
Color:	-	Mass (kg):	120.66	SCALE:1:15	SHEET 1 OF 10



DETAIL A  
SCALE 1 : 5

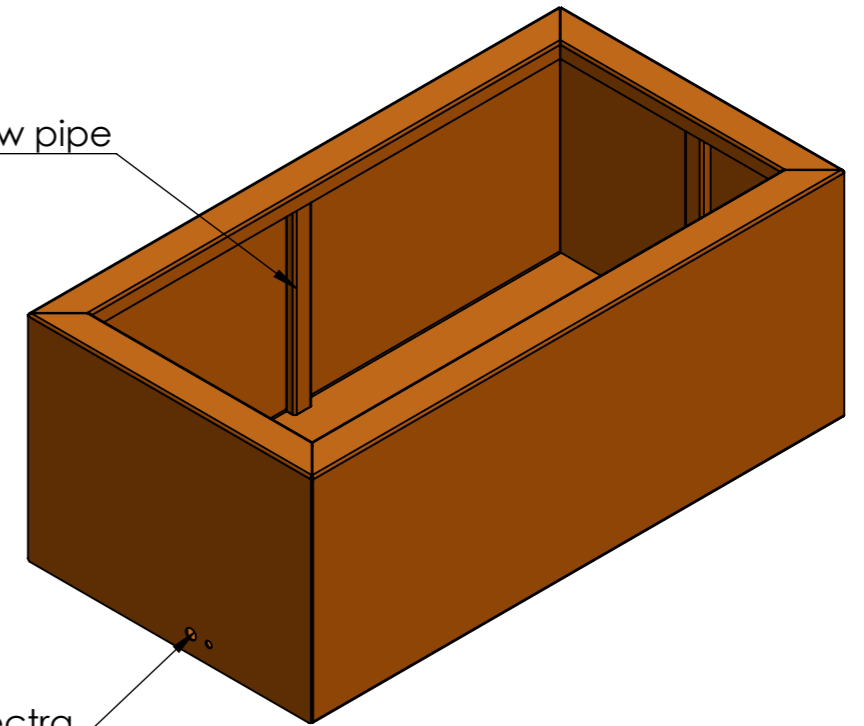


DETAIL B  
SCALE 1 : 5

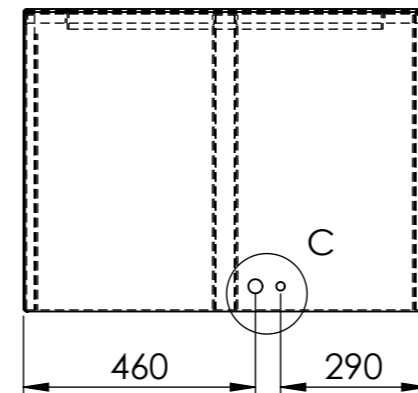
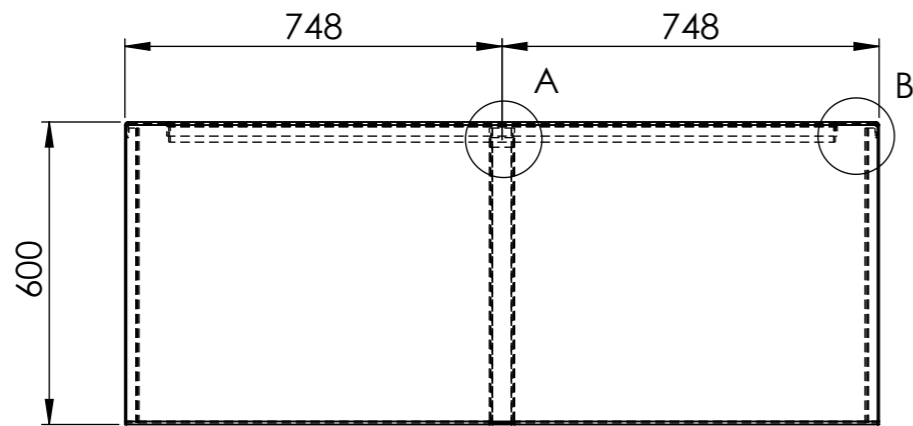
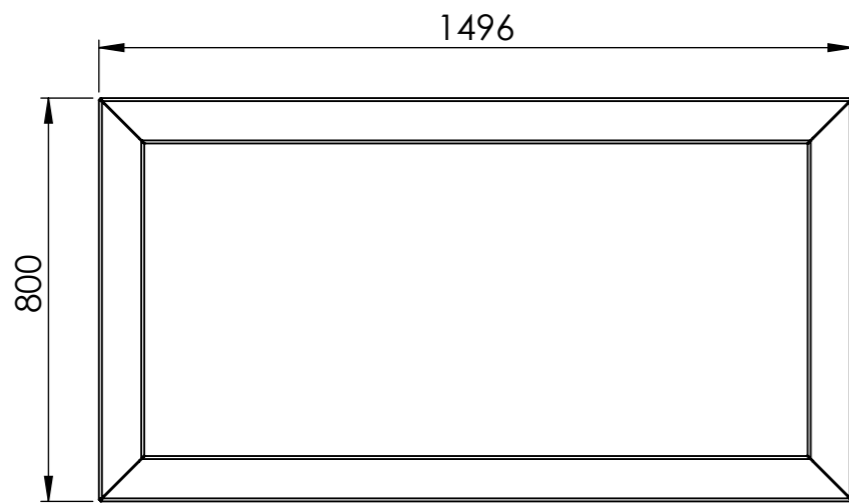


DETAIL C  
SCALE 1 : 5

Overflow pipe



Pump and electra



		DATE		TITLE:
DRAWN	Luuk van den Heuvel	26-6-2023		
REVISION	Bas Vlamings	22-4-2024		Drawing:
				VC10--

**ADEZZ**  
DESIGN TO GROW

Liessentstraat 4, 5405 AG Uden (NL).  
 † 0031 (0)413 - 27 41 68.  
 e info@adezz.com, i www.adezz.com

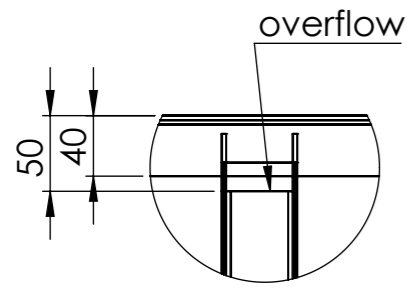
Color: -

Mass (kg): **120.64**

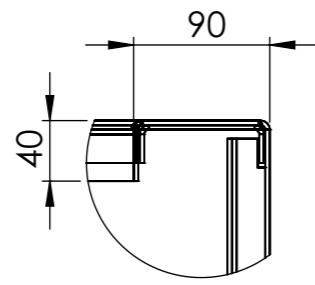
SCALE:1:15

SHEET 1 OF 10

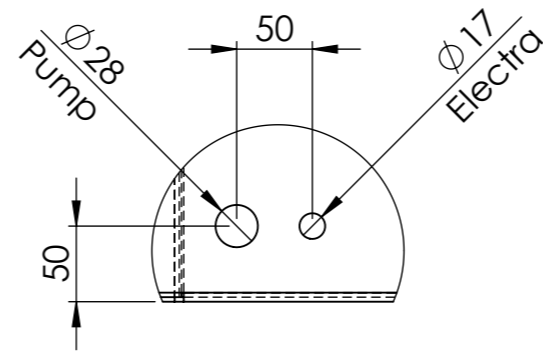
A3



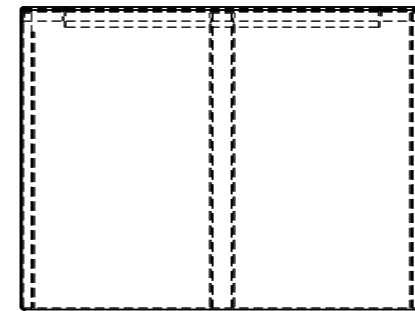
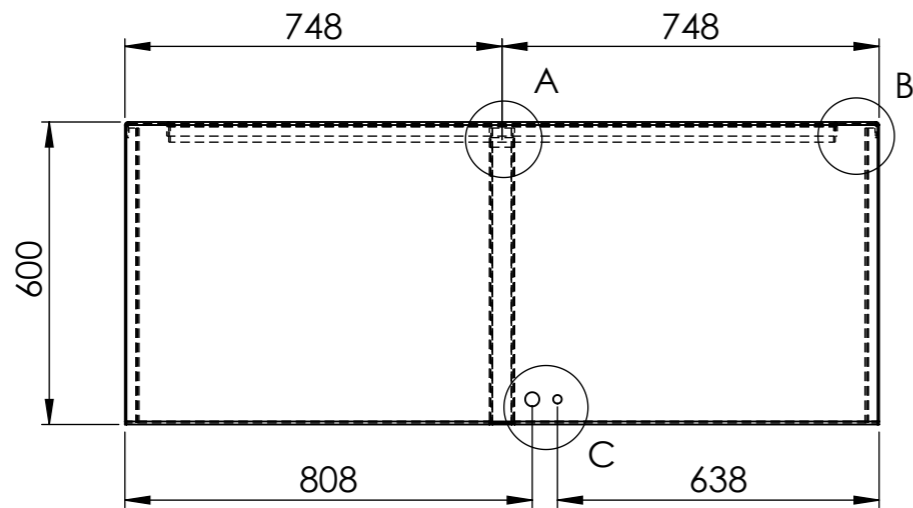
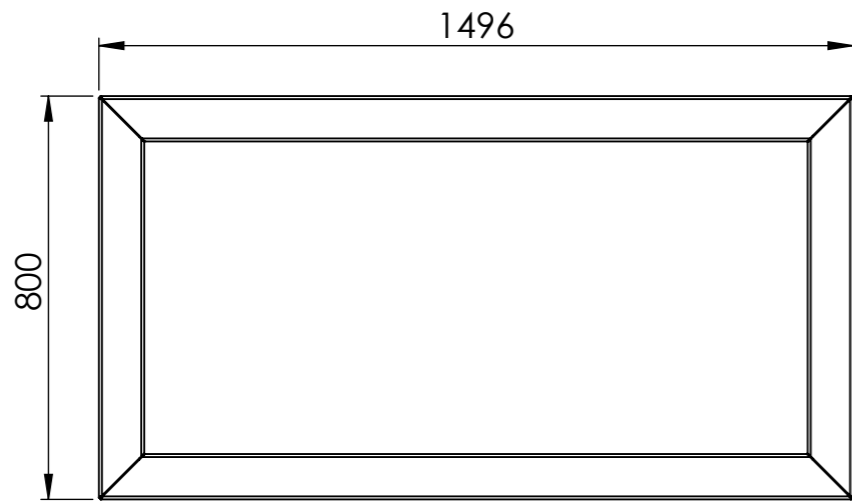
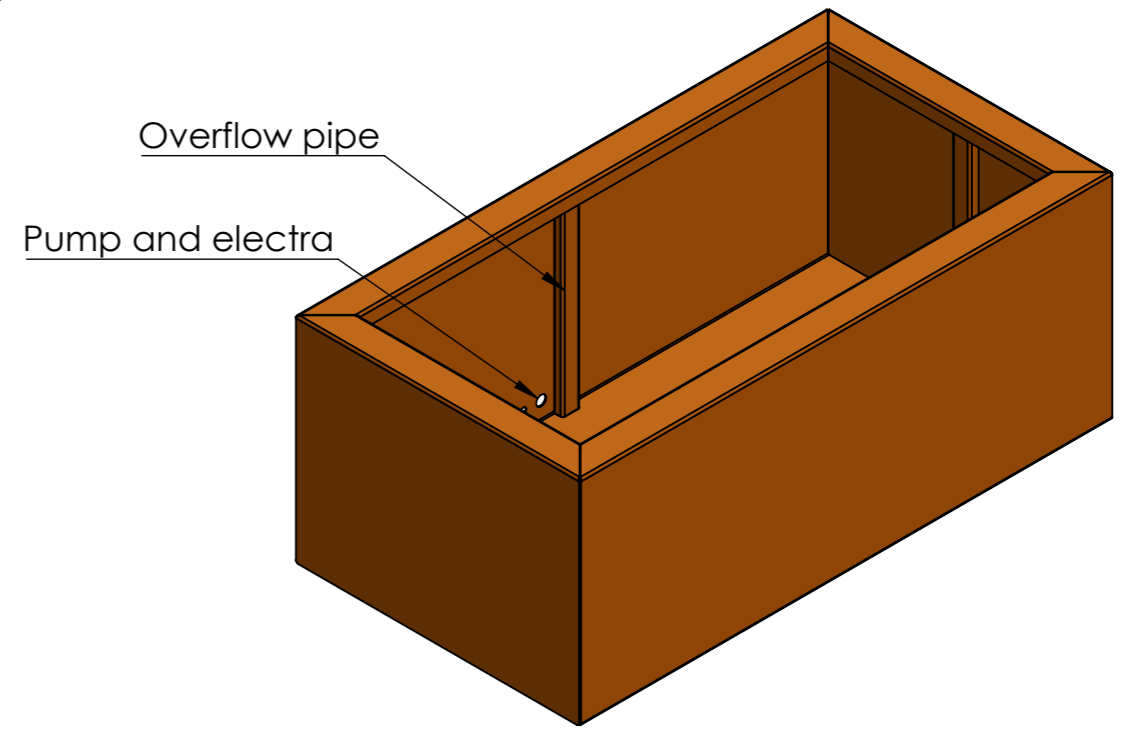
DETAIL A  
SCALE 1 : 5



DETAIL B  
SCALE 1 : 5



DETAIL C  
SCALE 1 : 5



		DATE		TITLE:
DRAWN	Luuk van den Heuvel	26-6-2023		
REVISION	Bas Vlamings	22-4-2024		

**ADEZZ**  
DESIGN TO GROW

Liessentstraat 4, 5405 AG Uden (NL).  
 † 0031 (0)413 - 27 41 68.  
 e info@adezz.com, i www.adezz.com

Color: -

Mass (kg): **120,64**

Drawing: VC10--

A3

SCALE:1:15

SHEET 1 OF 10